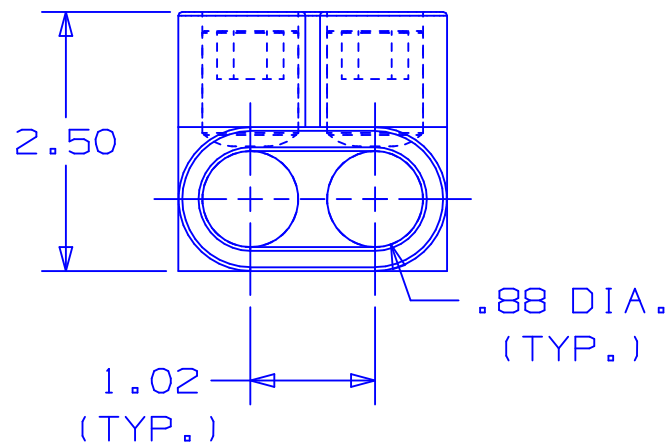


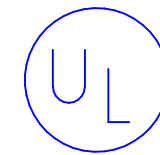
TWO PORT CONNECTOR BLOCK SHOWN WITH PLASTIC CLOSURE PLUGS REMOVED. SEE TABLE FOR DIMENSIONS OF PARTS WITH ADDITIONAL PORTS.



PART NUMBER	# CONDUCTOR PORTS	DIM "L"
PCSB350-2-4	2	2.22
PCSB350-3-4	3	3.24
PCSB350-4-3	4	4.25
PCSB350-5-3	5	5.28
PCSB350-6-2	6	6.30
PCSB350-7-2	7	7.31
PCSB350-8-2	8	8.33

NOTES:

- UL 486B LISTED. DUAL RATED CU9AL FOR ALUMINUM OR COPPER CONDUCTORS. MEETS OR EXCEEDS ANSI C119.4
- WIRE RANGE: 350 MCM-#10 AWG STR, #10 AWG SOL. ONLY ONE CONDUCTOR PER PORT ALLOWED.
- STRIP LENGTH: 1.00 +.06/-0
- HEX KEY SIZE: 3/8", TIGHTENING TORQUE 375 IN-LB.
- VOLTAGE RATING: 600 V. MAX. BUILDING WIRE, 1000 V. MAX. IN SIGNS & FIXTURES.
- TEMPERATURE RATING: 90° C.
- CONNECTOR BLOCK BODY, AND CLAMPING SCREWS ARE MADE FROM ALUMINUM. PORTS IN CONNECTOR BLOCK ARE PREFILLED WITH AN OXIDE-INHIBITING COMPOUND.
- INSULATION MATERIAL IS CLEAR PVC.
- CLAMPING SCREW ACCESS PORTS AND ALL WIRE ENTRY PORTS ARE PROVIDED WITH REMOVABLE PLASTIC CLOSURE PLUGS.
- ALL DIMENSIONS SHOWN ARE NOMINAL.
- PACKAGE QTY: -4 = 4 PCS.  
-3 = 3 PCS.  
-2 = 2 PCS.



LISTED  
509D

C41247\_03

--	--	--	--	WIDTH DIM WAS: 3.13; REVISED NOTE 9.	--	--	--		
03	6/04	JHNU		CHANGED DIM "L" IN TABLE: 2.22 WAS 2.25 3.24 WAS 3.25, 5.28 WAS 5.25, 6.30 WAS 6.25 7.31 WAS 7.25, & 8.33 WAS 8.25					
02	9/99	ES	RLS	NOTE 4 WAS HEX KEY SIZE: 5/16", TIGHTENING TORQUE 275 IN-LB.	07932	LCA	TRO		
01	8/99	ES	RLS	ADDED 509D TO UL SYMBOL, UPDATED NOTES 2, 4 & 5.	07875	JCJ	TRO		
REV	DATE	BY	CHK	DESCRIPTION	ECN #	CUST	PM	DRAWN BY	CHK'D
								MS	RLS
								SCALE	N/A
								DRAWING NO.	C41247

**PANDUIT** CORP.

TINLEY PARK, ILLINOIS

MULTI-TAP INSULATED CONNECTORS  
PCSB 350 SERIES